



Innovation Centre DC 90 in Boleč - Belgrade



Vibro-platform, actuator frame and column for horizontal load

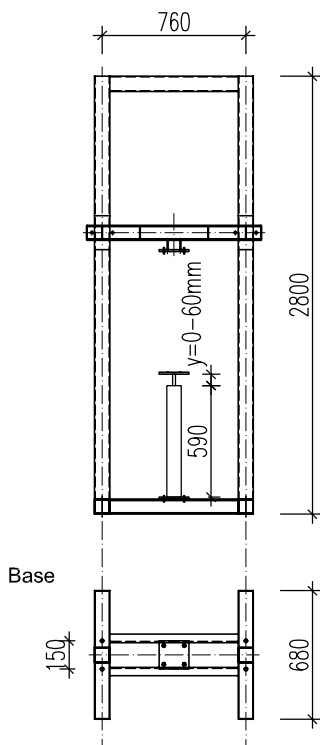


Actuator management by computer

Actuator frame

lift of the piston: $\pm 30\text{mm}$
 force: $\pm 20\text{kN}$
 frequency: 15Hz

Vertical section



Actuator frame

lift of the piston: $\pm 265\text{mm}$
 force: $\pm 300\text{kN}$

Vertical section

